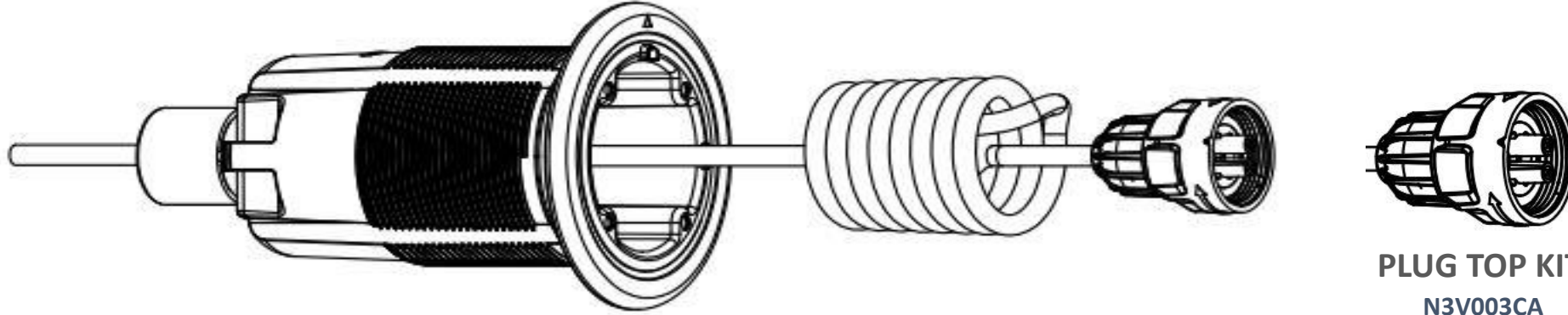


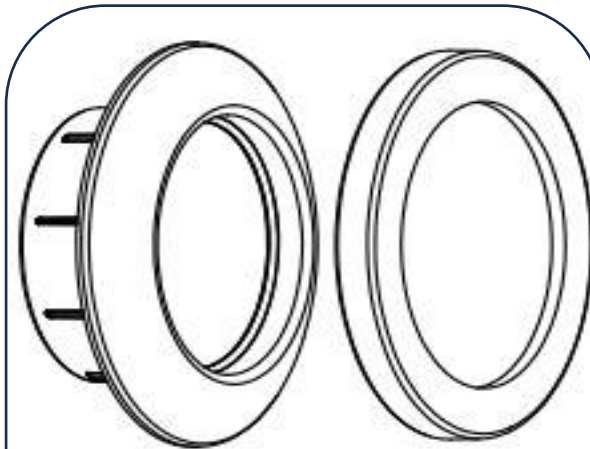


ARGON



NICHE ASSEMBLY WITH CABLE & PLUG TOP

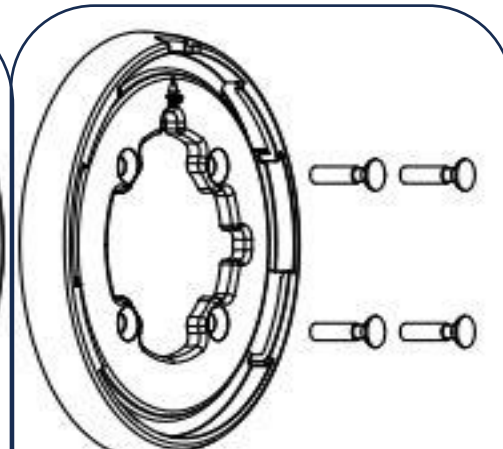
100FT : N3V18AWG100CA
150FT : N3V18AWG150CA



**CONICAL
NUT**

N3V005CA

**CONICAL
WASHER**



**CLAMP
RING** **X 4
SCREWS**

N3V006CA



**ARGON BULB
(MULTI PLUS)**

N3L12C0CMP



**CLEAR LIGHT
RIM**

N3004CACL



WINTER CAP

N3V001CA