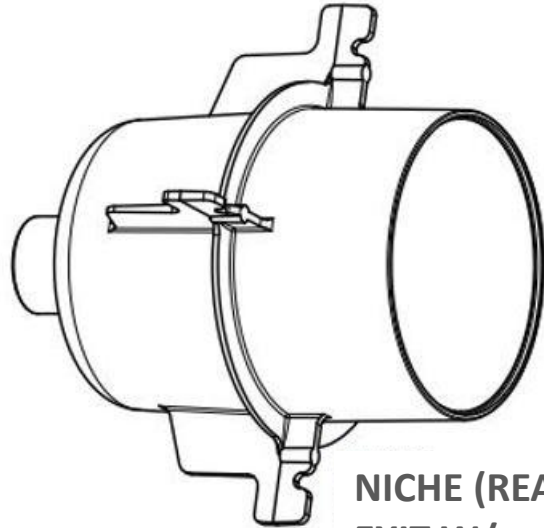


# atom

EM SERIES



**NICHE (REAR  
EXIT W/  
GLAND)**

100ft CABLE : EMP18AWG100CA  
150ft CABLE : EMP18AWG150CA



**PROTECTIVE CAP  
CONCRETE NICHE CAP**



**MOUNTING RING  
EMC009LMCA**

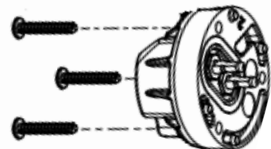


**PROTECTIVE CAP  
CONCRETE NICHE CAP**



**LIGHT**

EMVL12C0CMPL



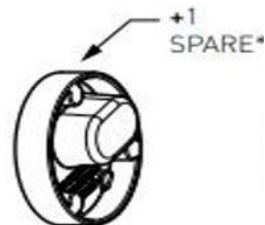
**PLUG TOP  
WITH CAP**

EMC003CA

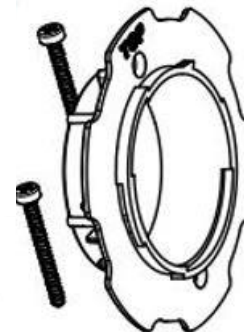


**PLUG TOP  
GASKET**

GASKETEMPLUG

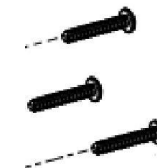


**WINTER CAP  
EMPLUGCOVERCA**



**LOCKING RING**

EMC009LLCA



**PLUG TOP  
SCREWS X 3**

SCREWKITEM001