

# ARGON SERIES

## CABLE INSTALLATION GUIDE

### ! PRIOR TO USE

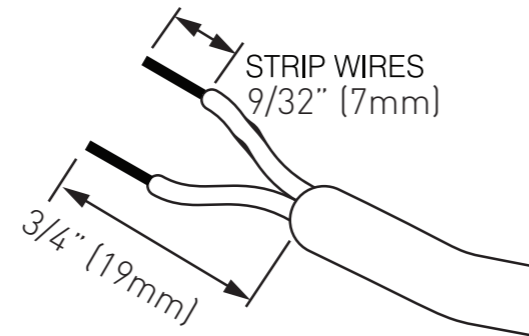


## 1: CABLE PREPARATION

STRIP POOL LIGHT CABLE TO SPECIFIED LENGTH.

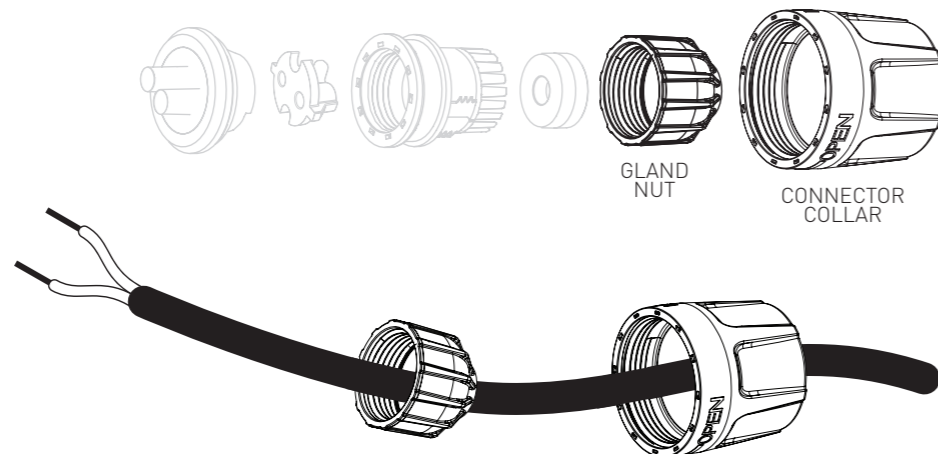
### ! NOTE

IF CABLE LENGTH ALLOWS, CUT CABLE BACK UNTIL FRESH COPPER APPEARS.



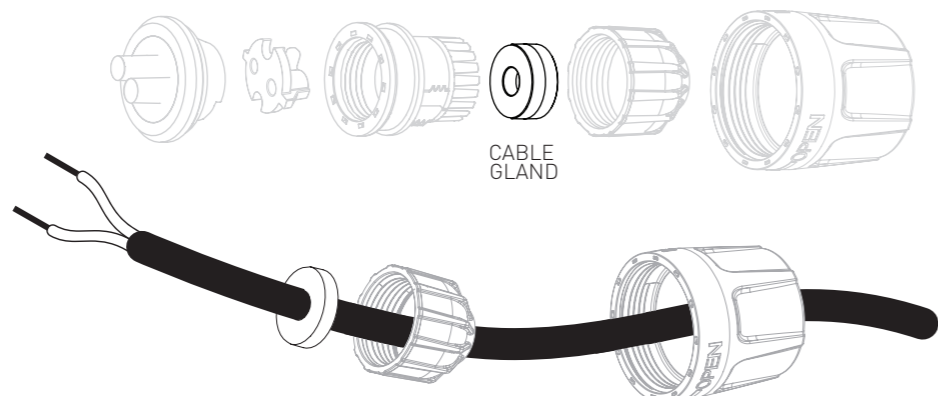
## 2: START ASSEMBLY OF CONNECTOR PLUG

1: FEED THE CONNECTOR COLLAR ONTO THE CABLE, THEN FEED THE GLAND NUT ONTO THE CABLE.



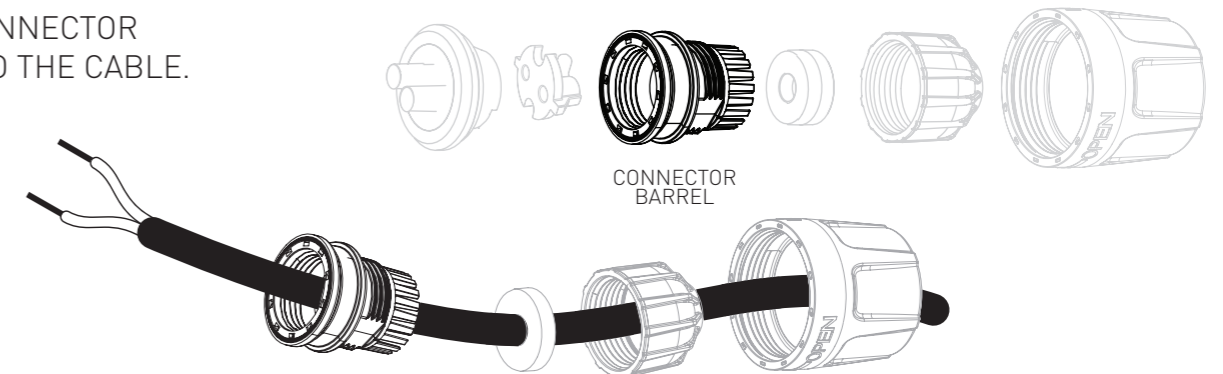
## 3: CHOOSE THE APPROPRIATE GLAND

SELECT THE CABLE GLAND THAT FITS THE EXISTING POWER CABLE WITHOUT BULGING.



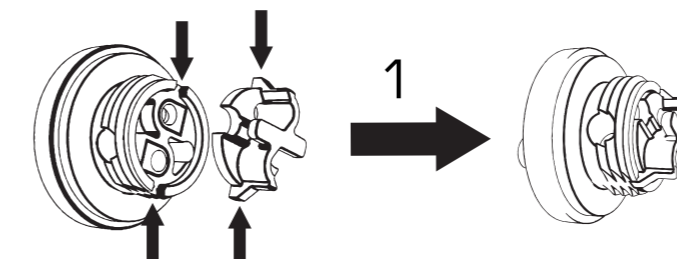
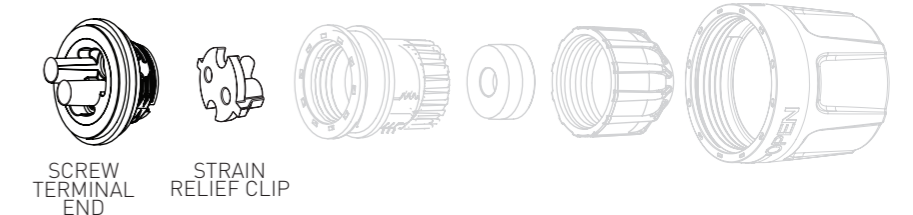
## 4: CONTINUE ASSEMBLY OF CONNECTOR PLUG

FEED THE CONNECTOR BARREL ONTO THE CABLE.

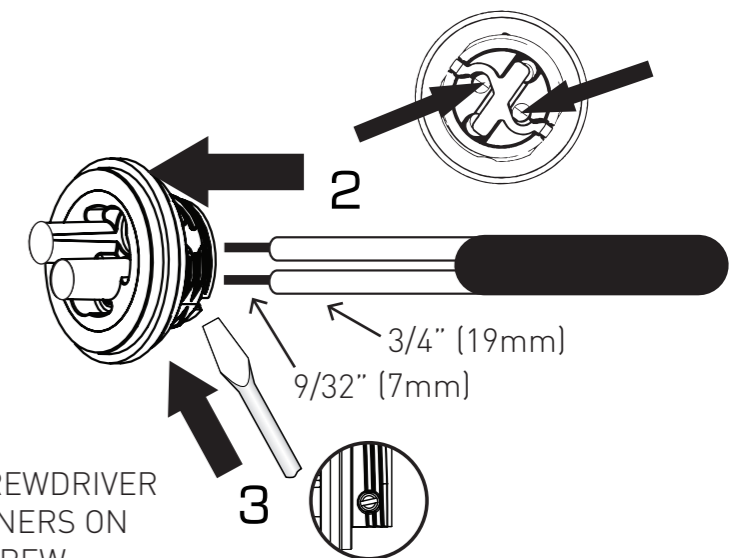


## 5: CONNECT THE SCREW TERMINAL END

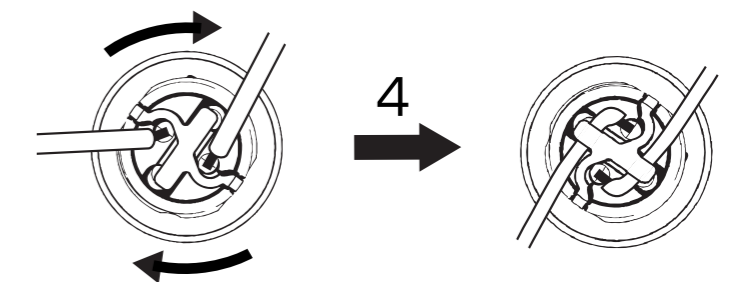
1: ATTACH THE STRAIN RELIEF CLIP TO THE SCREW TERMINAL END



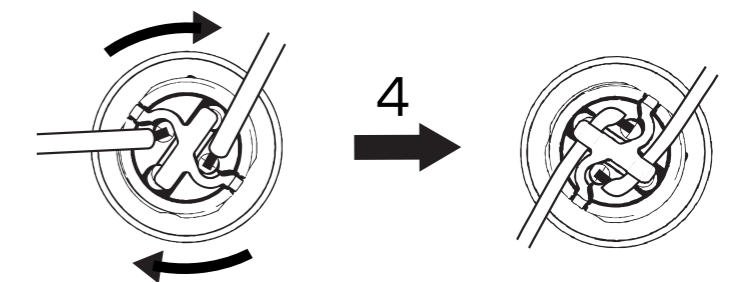
2: FEED THE TWO STRIPPED CABLE ENDS THROUGH THE TWO HOLES IN THE BACK OF THE SCREW TERMINAL END.



3: USE FLAT BLADE SCREWDRIVER TO TIGHTEN THE FASTENERS ON EITHER SIDE OF THE SCREW TERMINAL.



4: TWIST THE SCREW TERMINAL AND LOOP CABLE ENDS UNDER THE STRAIN RELIEF CLIP.

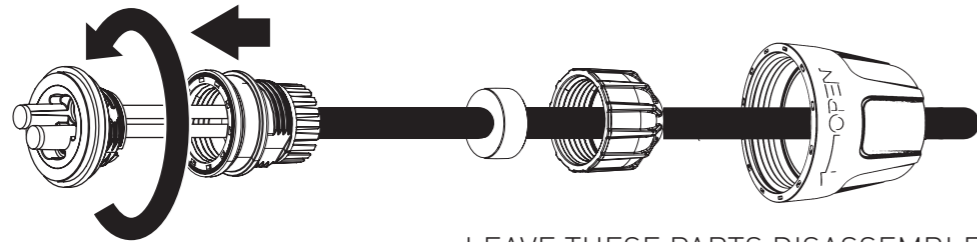


# ARGON SERIES

## CABLE INSTALLATION GUIDE

### 6: START ASSEMBLY OF CONNECTOR PLUG

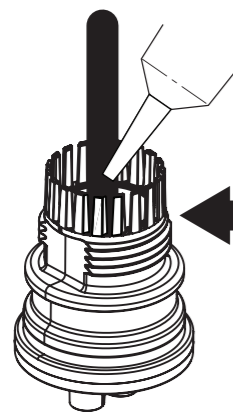
1: CAREFULLY THREAD CONNECTOR BARREL ONTO SCREW TERMINAL AND TIGHTEN FIRMLY BY HAND.



LEAVE THESE PARTS DISASSEMBLED UNTIL AFTER ADDING LANOLIN

### 7: ADD LANOLIN

FILL BACK OF CONNECTOR BARREL WITH LANOLIN UP TO THE INDICATED POINT.



FILL TO HERE  
(ALLOWING ROOM FOR GLAND)

#### LANOLIN USE



GENTLY WARM  
LANOLIN  
BEFORE USE



#### NOTE

USE A TOWEL TO  
PROTECT POOL  
SURROUNDING

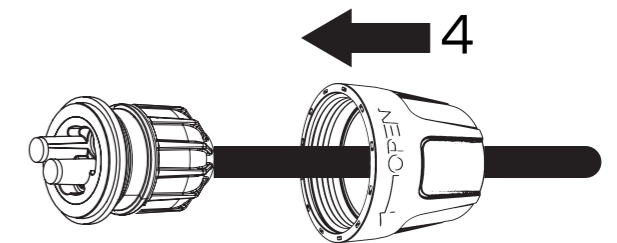
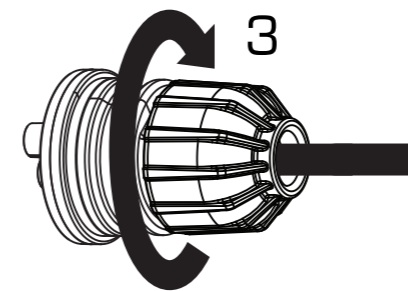
### 8: CONTINUE ASSEMBLY OF CONNECTOR PLUG

1: SEAT CABLE GLAND ALL THE WAY INTO CONNECTOR (DO A VISUAL CHECK TO MAKE SURE A SEAL BETWEEN GLAND AND CABLE)

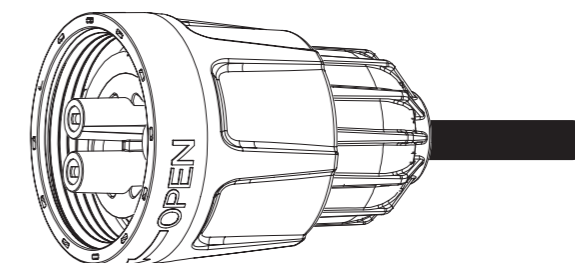
2: CAREFULLY THREAD GLAND NUT ONTO CONNECTOR BARREL

3: TIGHTEN GLAND NUT FIRMLY BY HAND

4: SLIDE CONNECTOR COLLAR ALL THE WAY TO THE END READY FOR ATTACHMENT TO THE LIGHT ASSEMBLY



ASSEMBLED VIEW OF CONNECTOR PLUG.



ASSEMBLED VIEW